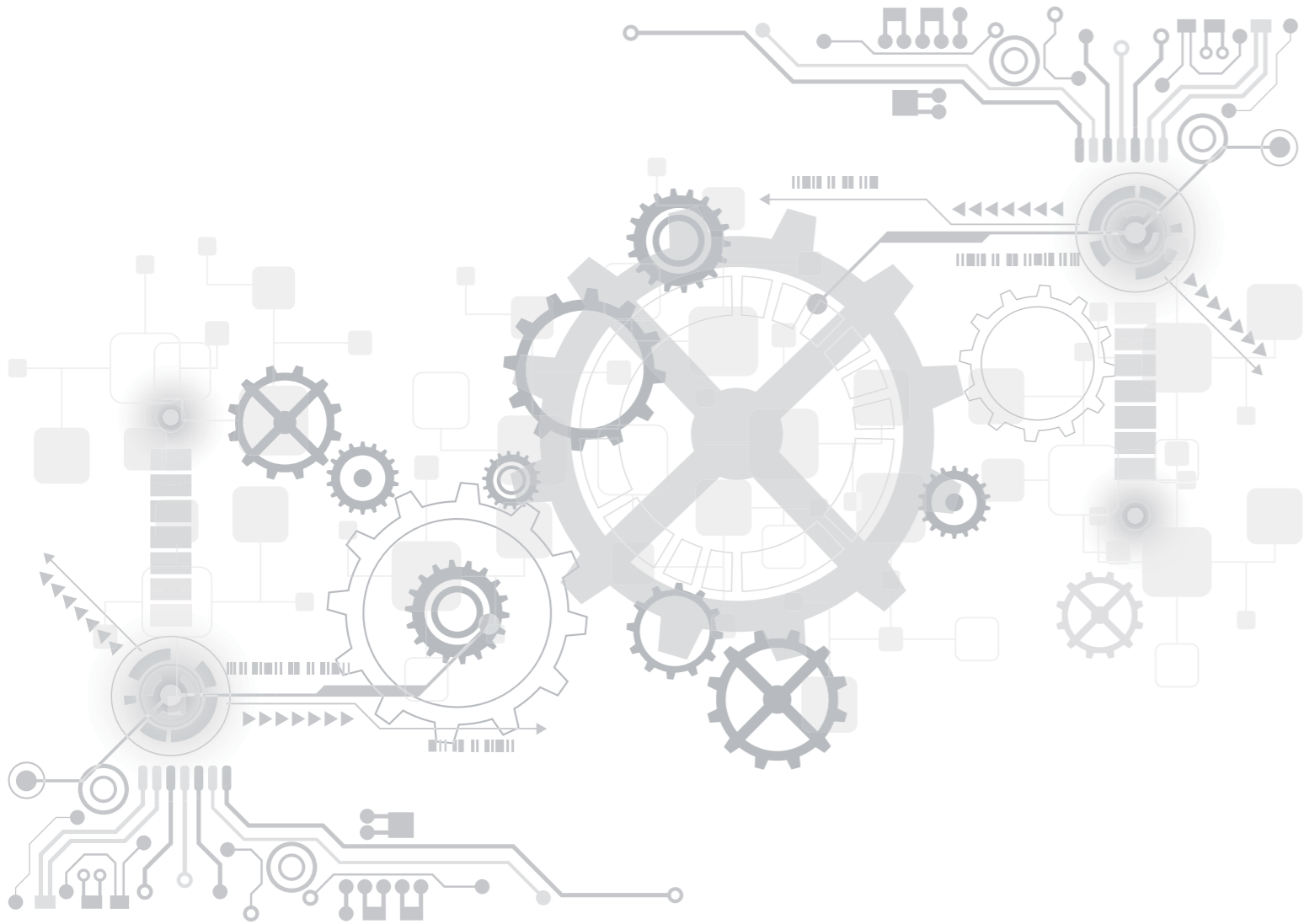




We are committed to providing industry cutting-edge products and technology



NCH Series Electric Chain Hoists



INNOVATION CREATES VALUE



Focus on the development of electric hoist professional field and market segmentation development

Mission: Innovation creates value

Vision: The world's leading electric hoist manufacturer

Core values: Quality, Innovation and Cooperation



Stable, reliable, accurate and intelligent
Novocrane basic requirements for each product

Through constant improving in efficiency, quality and safety,
Novocrane all-round class technology brings you more benefits



Novocrane, known as hoist expert! we are an enterprise which is innovative and pay attention to the accumulation. In the changing global market, quality has always been our persistent competitive advantage: Having implemented the total quality control from material to technology, from the production process to technical support, Novocrane has always been adhering to the spirit with craftsmen to build our products and services, improve customer experience, and create long-term value for our customers, employees, and partners.



Seamless connecting the customer needs. When communicating with the customers, we actively listen to customers' needs, to make our technology and products more targeted and more comprehensive, so as to improve equipments' efficiency, security and stability, and to ensure that the equipment can run efficiently in harsh construction environment, and to reduce operating costs and risks, to create greater value for the customers

Cutting-edge R&D strength and profound industry experience anticipate and fulfill the customers' requirements



The driving force of Novocrane's research and development and innovation comes from the business philosophy of "customer first". As the pioneer of hoist industry, we realize that the key to improve customer experience and help the customers achieve permanent success is the anticipation and fulfillment of the customers' requirements: Novocrane has many years of industry experience on the practical application, which adopts the targeted advanced technologies to provide innovative solutions, and establishes the unique competent advantages for the customers. Novocrane uses its innovative research to realize customer satisfaction

Thoughtful service for you



Novocrane possesses advanced technology, quick reaction mechanism and experienced service team, and has established win-win cooperation relationships with every customer -- we are committed to providing professional service support for your business development. We, possessing a complete service network and senior engineering and technical teams, can provide 7X24 after-sales support, customized services based on the customers' specific needs, as well as 360 ° service solutions from technical consulting, training, to repair, and maintenance. The spare parts warehouses throughout our country's central areas can ensure adequate, high-quality and guaranteed spare parts inventory, which have greatly improved equipment efficiency and reduce the operation cost.

Achieve sustainable development



According to the needs of industrial customers and relying on strong research and development and innovation capabilities, Novocrane has constantly developed the special products with independent intellectual property rights, improved the company's intelligent manufacturing solutions, and provided customers with one-stop industrial services in terms of system upgrading, safety protection, energy saving and efficiency improvement.

In both work and life it is the discipline of all our actions



In the process of enterprise development, Novocrane has accumulated its own set of values. She is the thinking foundation and conduct code of Novocrane's people, and an important basis for the company to achieve its development vision. We know very well that every accomplishment cannot leave the company staff's professional skills, honesty, commitment and dedication. Moreover, we focus on technology development staff to launch the promotion system of the engineer rank, and have provided specialized talent management skills training for managerial talents, and allows every employee to give full play to their potential in the expertise field, and we are committed to building the career development platform with the openness, inclusiveness and diversity.

Values

Customer First / Teamwork / Full Dedication / Value Creation / Pursuit of Excellence

NCH Electric Chain Hoist

Lifting Capacity: 150Kg-7500Kg



Product Superiority:

- > Brand new contracted design
- > Full-sealed body
- > New-design die-casting aluminum shell
- > Light weight
- > High efficiency transmission
- > Maintenance free
- > Easy operation, light and practical
- > Long service time
- > Safe and reliable



F type
Fixed Electric Chain Hoist



M/E type
Monorail Electric Chain Hoist
Travelling Electric Chain Hoist



P type
Manual Trolley Electric Chain Hoist

Choose according to the need of light and medium duty application.

Tailor Made For Customer

Novocrane NCH Electric Chain Hoist is compact and reliable. The modular design enables a wide application in complex occasions and customization. Because modularization brings a flexible combination of different lifting capacities, different lifting speeds and working levels, and outstanding performance for quick transportation and precise assembly.

Excellent Performance

The main driving component in hoists of this series is designed to be maintenance free. The electro-magnetic disc brake can reduce the running noise effectively. The standard and humanized design not only improves the operation performance, but also reduces the maintenance cost greatly.

Manufactured In Accordance With International Standard

Novocrane NCH Electric Chain Hoist is compact, reliable, durable and suitable for a wide range of applications. The hoist of this series has adopted the Germany design concept, NCH Electric Chain Hoists are designed and manufactured fully in accordance with European FEM, EN and Germany DIN standards as well as the ISO and Chinese GB/GB standards.

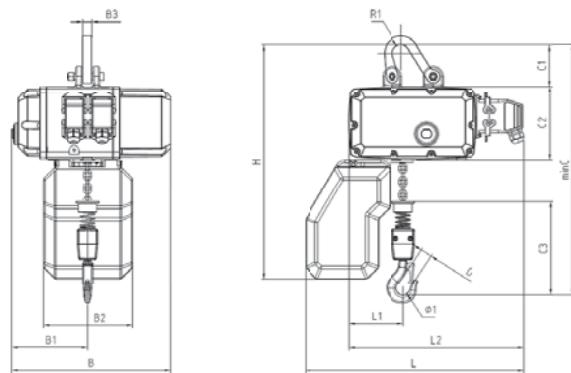


Dimension



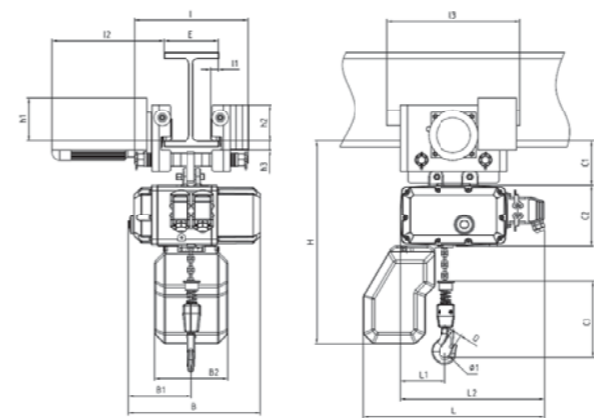
Dimension of NCH1/NCH2-F Types (Fixed)

| Model | NCH1051 | NCH1051-2 | NCH1052 | NCH2051 | NCH2071 | NCH2072 |
|---------------|---------|-----------|---------|---------|---------|---------|
| B, mm | 348.5 | 348.5 | 348.5 | 381.5 | 381.5 | 381.5 |
| B1, mm | 166.5 | 166.5 | 166.5 | 185 | 185 | 185 |
| B2, mm | 195 | 195 | 195 | 195 | 195 | 195 |
| B3, mm | 20 | 20 | 20 | 24 | 24 | 25 |
| H(Size 1), mm | 512 | 512 | 503 | 547 | 547 | 557 |
| H(Size 2), mm | 662 | 662 | 653 | 697 | 697 | 707 |
| R1, mm | 19 | 19 | 23 | 20 | 20 | 27.5 |
| L, mm | 478.5 | 478.5 | 478.5 | 526 | 526 | 526 |
| L1, mm | 115 | 115 | 139 | 118.5 | 118.5 | 152 |
| L2, mm | 383 | 383 | 383 | 413 | 413 | 413 |
| Ø1, mm | 30 | 34 | 40 | 34 | 40 | 48 |
| D, mm | 24 | 27 | 32 | 27 | 32 | 38 |
| C, mm | 460 | 475 | 525.5 | 505 | 519 | 622 |
| C1, mm | 91 | 91 | 80.5 | 104 | 104 | 114 |
| C2, mm | 162 | 162 | 162 | 180.5 | 180.5 | 180.5 |
| C3, mm | 204 | 220.5 | 283 | 220.5 | 234.5 | 327.5 |



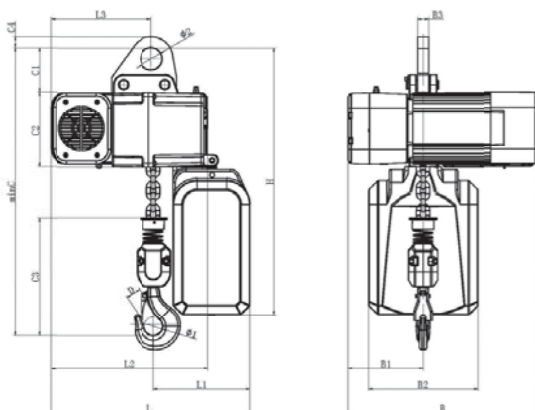
Dimension of NCH1/NCH2-M/E Types (Monorail / Travelling)

| Model | NCH1051-1 | NCH1051-2 | NCH1052 | NCH2051 | NCH2071 | NCH2072 |
|---------------|-----------|-----------|---------|---------|---------|---------|
| B, mm | 348.5 | 348.5 | 348.5 | 381.5 | 381.5 | 381.5 |
| B1, mm | 166.5 | 166.5 | 166.5 | 185 | 185 | 185 |
| B2, mm | 348.5 | 348.5 | 348.5 | 381.5 | 381.5 | 381.5 |
| I, mm | 360 | 360 | 360 | 360 | 360 | 460 |
| I1, mm | 20 | 20 | 20 | 20 | 20 | 27 |
| I2, mm | 295 | 295 | 295 | 295 | 295 | 305 |
| I3, mm | 348 | 348 | 348 | 348 | 348 | 402 |
| h1, mm | 115 | 115 | 115 | 115 | 115 | 130 |
| h2, mm | 97 | 97 | 97 | 97 | 97 | 102 |
| h3, mm | 20 | 20 | 20 | 20 | 20 | 24 |
| E, mm | 50-230 | 50-230 | 50-230 | 50-230 | 50-230 | 70-300 |
| H(Size 1), mm | 540 | 540 | 540 | 562 | 562 | 608 |
| H(Size 2), mm | 690 | 690 | 690 | 712 | 712 | 758 |
| Ø1, mm | 30 | 40 | 40 | 34 | 40 | 48 |
| D, mm | 24 | 32 | 32 | 27 | 32 | 38 |
| L, mm | 478.5 | 478.5 | 478.5 | 526 | 526 | 526 |
| L1, mm | 115 | 139 | 139 | 118.5 | 118.5 | 152 |
| L2, mm | 383 | 383 | 383 | 413 | 413 | 413 |
| C, mm | 485 | 562.5 | 562.5 | 521 | 535 | 677 |
| C1, mm | 117.5 | 117.5 | 117.5 | 120 | 120 | 169 |
| C2, mm | 162 | 162 | 162 | 180.5 | 180.5 | 180.5 |
| C3, mm | 204 | 283 | 283 | 220.5 | 234.5 | 327.5 |



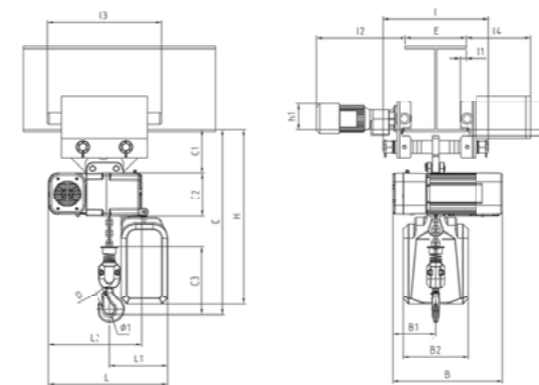
Dimension of NCH5-F Types (Fixed)

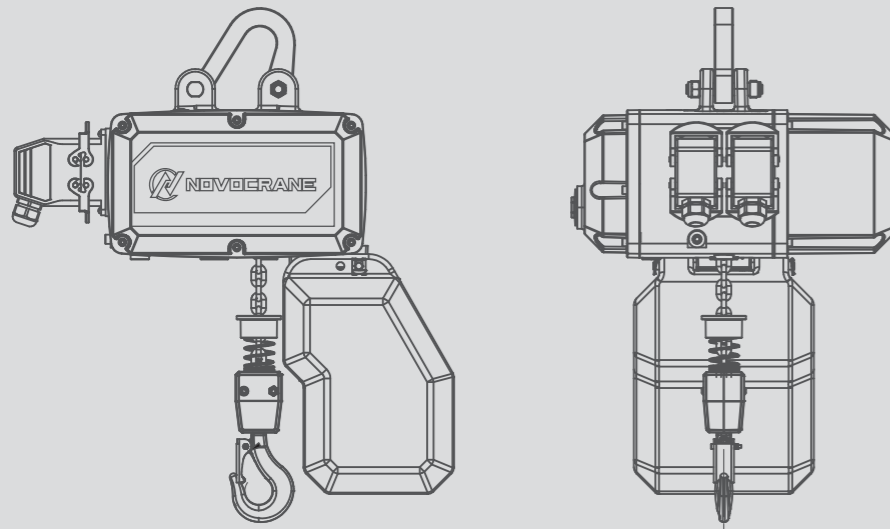
| Model | NCH5091 | NCH5092 | NCH5111 | NCH5112 |
|--------|---------|---------|---------|---------|
| B, mm | 532 | 532 | 532 | 532 |
| B1, mm | 205.5 | 205.5 | 205.5 | 205.5 |
| B2, mm | 300 | 300 | 300 | 300 |
| B3, mm | 30 | 30 | 30 | 30 |
| H, mm | 733.5 | 733.5 | 733.5 | 733.5 |
| Ø1, mm | 60 | 60 | 60 | 60 |
| L, mm | 549 | 549 | 549 | 549 |
| L1, mm | 270 | 313 | 267 | 313 |
| L2, mm | 432 | 432 | 432 | 432 |
| L3, mm | 278 | 238 | 278 | 238 |
| Ø1, mm | 48 | 50 | 50 | 56 |
| D, mm | 38 | 40 | 40 | 45 |
| C, mm | 643 | 720 | 650 | 754 |
| C1, mm | 121 | 121 | 121 | 121 |
| C2, mm | 205 | 205 | 205 | 205 |
| C3, mm | 316 | 393 | 323 | 427 |
| C4, mm | 30 | 30 | 30 | 30 |



Dimension of NCH5-M/E Type (Monorail / Travelling)

| Model | NCH5091 | NCH5092 | NCH5111 | NCH5112 |
|--------|---------|---------|---------|---------|
| B, mm | 532 | 532 | 532 | 532 |
| B1, mm | 205.5 | 205.5 | 205.5 | 205.5 |
| B2, mm | 300 | 300 | 300 | 300 |
| I, mm | 500 | 500 | 500 | 500 |
| I1, mm | 27 | 27 | 27 | 27 |
| I2, mm | 420 | 420 | 420 | 420 |
| I3, mm | 526 | 526 | 526 | 526 |
| h1, mm | 119 | 119 | 119 | 119 |
| h2, mm | 130 | 130 | 130 | 130 |
| h3, mm | 30 | 30 | 30 | 30 |
| E, mm | 80-320 | 80-320 | 80-320 | 80-320 |
| H, mm | 811 | 811 | 811 | 811 |
| Ø1, mm | 48 | 50 | 50 | 56 |
| D, mm | 38 | 40 | 40 | 45 |
| L, mm | 549 | 549 | 549 | 549 |
| L1, mm | 270 | 313 | 267 | 313 |
| L2, mm | 431 | 431 | 431 | 431 |
| C, mm | 725 | 800 | 728 | 832 |
| C1, mm | 199 | 199 | 199 | 199 |
| C2, mm | 205 | 205 | 205 | 205 |
| C3, mm | 316 | 393 | 323 | 427 |



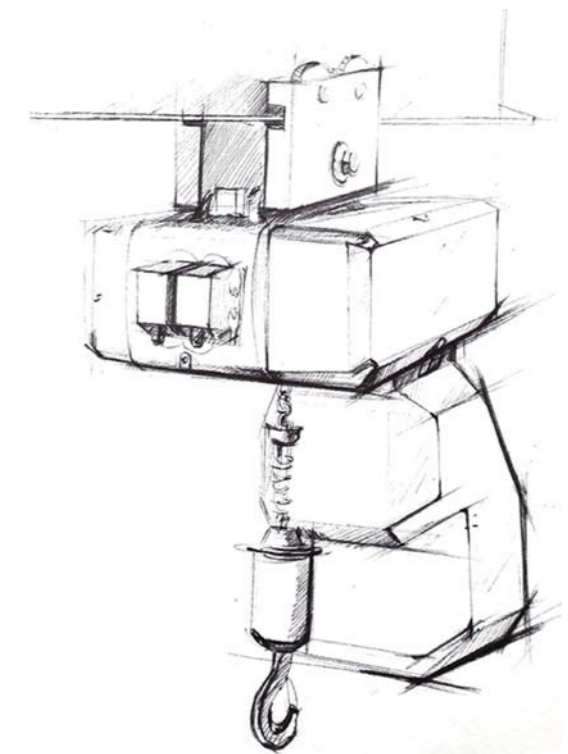


Selection Table of NCH Electric Chain Hoist

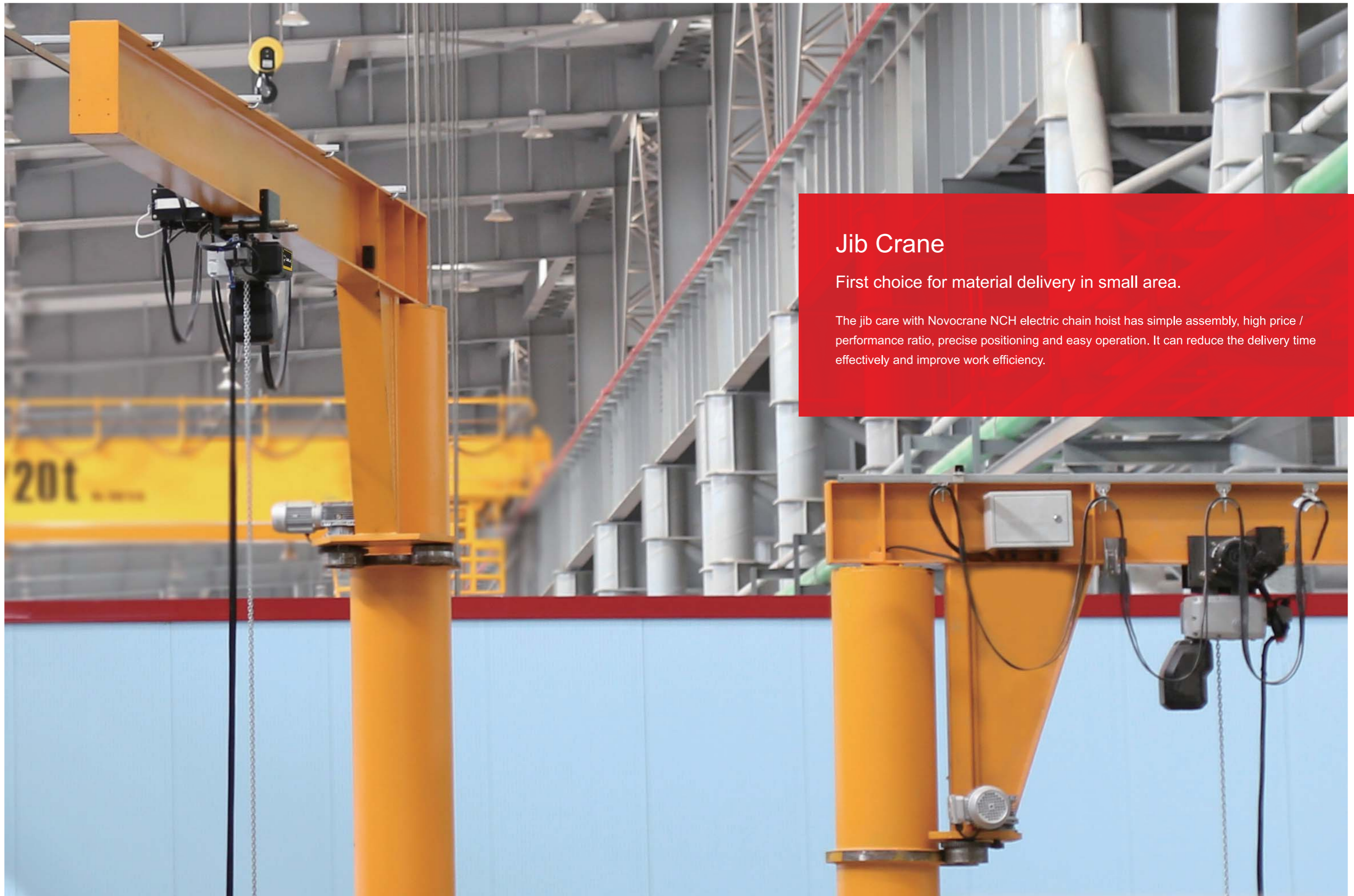
| Load capacity (Kg) | FEM | ISO | Hoist type | Power (KW) | speed (m/min) | Number of falls |
|--------------------|-----|-----|--------------|------------|---------------|-----------------|
| 250 | 3m | M6 | NCH105102508 | 0.75/0.18 | 8/2 | 1 |
| 250 | 2m | M5 | NCH105102516 | 0.75/0.18 | 16/4 | 1 |
| 320 | 2m | M5 | NCH105103208 | 0.75/0.18 | 8/2 | 1 |
| 320 | 1Am | M4 | NCH105103216 | 0.75/0.18 | 16/4 | 1 |
| 500 | 1Am | M4 | NCH105105008 | 0.75/0.18 | 8/2 | 1 |
| 500 | 3m | M6 | NCH207105008 | 1.9/0.45 | 8/2 | 1 |
| 500 | 2m | M5 | NCH205105016 | 1.9/0.45 | 16/4 | 1 |
| 630 | 2m | M5 | NCH207106308 | 1.9/0.45 | 8/2 | 1 |
| 630 | 1Am | M4 | NCH205106316 | 1.9/0.45 | 16/4 | 1 |
| 1000 | 1Am | M4 | NCH105210004 | 0.75/0.18 | 4/1 | 2 |
| 1000 | 1Am | M4 | NCH207110008 | 1.9/0.45 | 8/2 | 1 |
| 1000 | 2m | M5 | NCH509110016 | 3.5/0.88 | 16/4 | 1 |
| 1600 | 2m | M5 | NCH207216004 | 1.9/0.45 | 4/1 | 2 |
| 1600 | 2m | M5 | NCH509116008 | 3.5/0.88 | 8/2 | 1 |
| 2000 | 1Am | M4 | NCH207220004 | 1.9/0.45 | 4/1 | 2 |
| 2000 | 2m | M5 | NCH511120006 | 3.5/0.88 | 6.3/1.6 | 1 |
| 2000 | 1Am | M4 | NCH511120008 | 3.5/0.88 | 8/2 | 1 |
| 2500 | 2m | M5 | NCH509225004 | 3.5/0.88 | 4/1 | 2 |
| 2500 | 1Am | M4 | NCH511125006 | 3.5/0.88 | 6.3/1.6 | 1 |
| 3200 | 2m | M5 | NCH511232003 | 3.5/0.88 | 3.2/0.75 | 2 |
| 3200 | 1Am | M4 | NCH509232004 | 3.5/0.88 | 4/1 | 2 |
| 4000 | 1Am | M4 | NCH511240004 | 3.5/0.88 | 3.2/0.75 | 2 |
| 4000 | 2m | M5 | NCH511240003 | 3.5/0.88 | 4/1 | 2 |
| 5000 | 1Am | M4 | NCH511250003 | 3.5/0.88 | 3.2/0.75 | 2 |
| 7500 | 1Am | M4 | NCH511375002 | 3.5/0.88 | 2.1/0.5 | 3 |

Standard Configuration:

- > Two-speed lifting motor, silver gray body
- > Detachable upper lifting hug
- > Supply voltage: 380V/3P/50Hz
- > Control voltage: 48V
- > Limit switch
- > Black chain box
- > Hook and chain(lifting height :3 m)



Contact NOVOCRANE for more parameters and non-standard products.



Jib Crane

First choice for material delivery in small area.

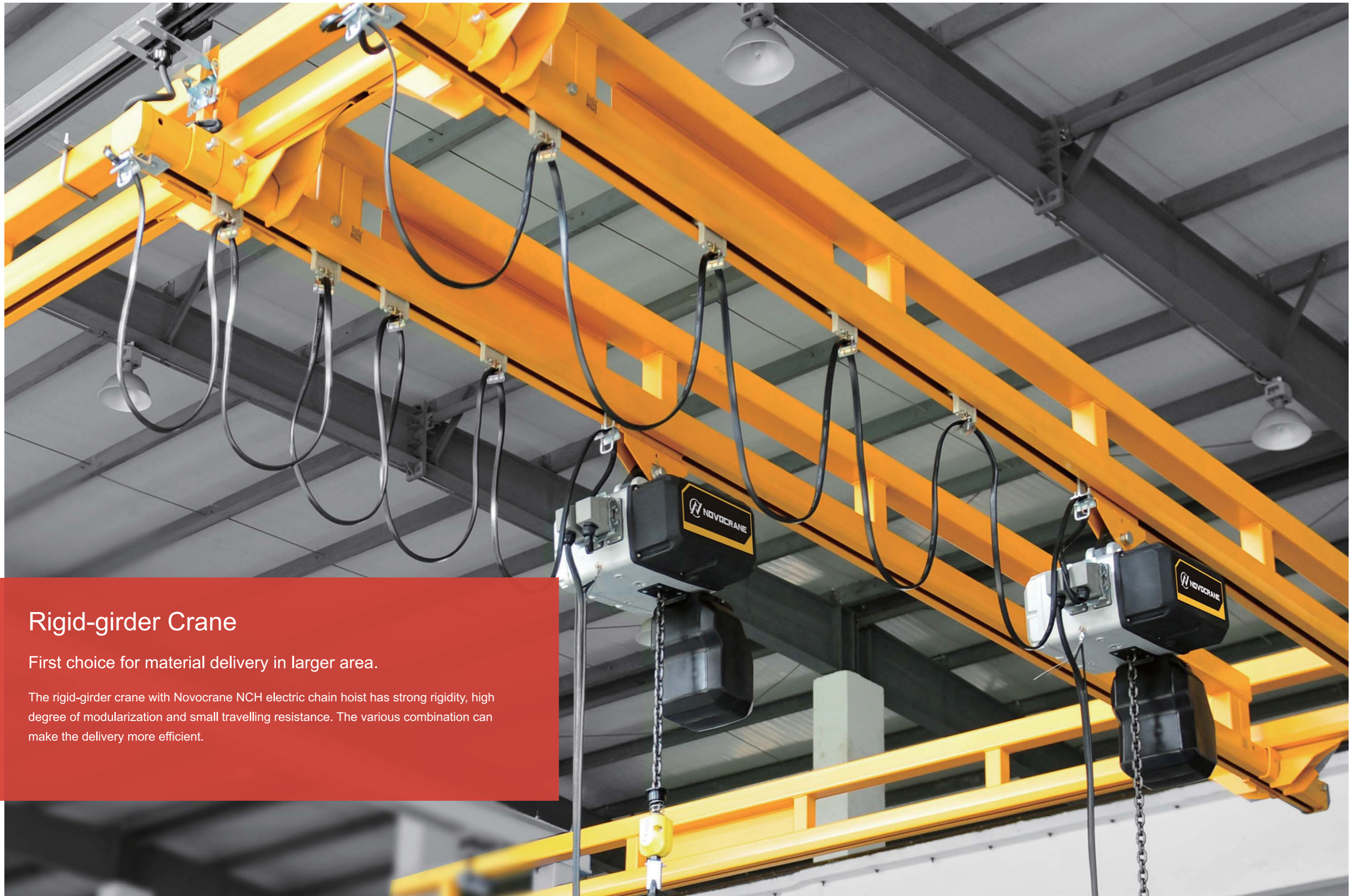
The jib crane with Novocrane NCH electric chain hoist has simple assembly, high price / performance ratio, precise positioning and easy operation. It can reduce the delivery time effectively and improve work efficiency.



Flexible-girder Crane

First choice for material delivery in medium-size spaces.

The flexible-girder crane with Novocrane NCH electric chain hoist has assembly, light weight and easy maintenance. It provides more configuration options in the layout of work station at late stage.



Rigid-girder Crane

First choice for material delivery in larger area.

The rigid-girder crane with Novocrane NCH electric chain hoist has strong rigidity, high degree of modularization and small travelling resistance. The various combination can make the delivery more efficient.



Overload Clutch

Integrated on the drive gear shaft
 Overload protection function: keep torque safe.
 Up to 1.4 times of safe load capacity
 Maintenance-free design, adjustable overload torque



Reduition Gearbox

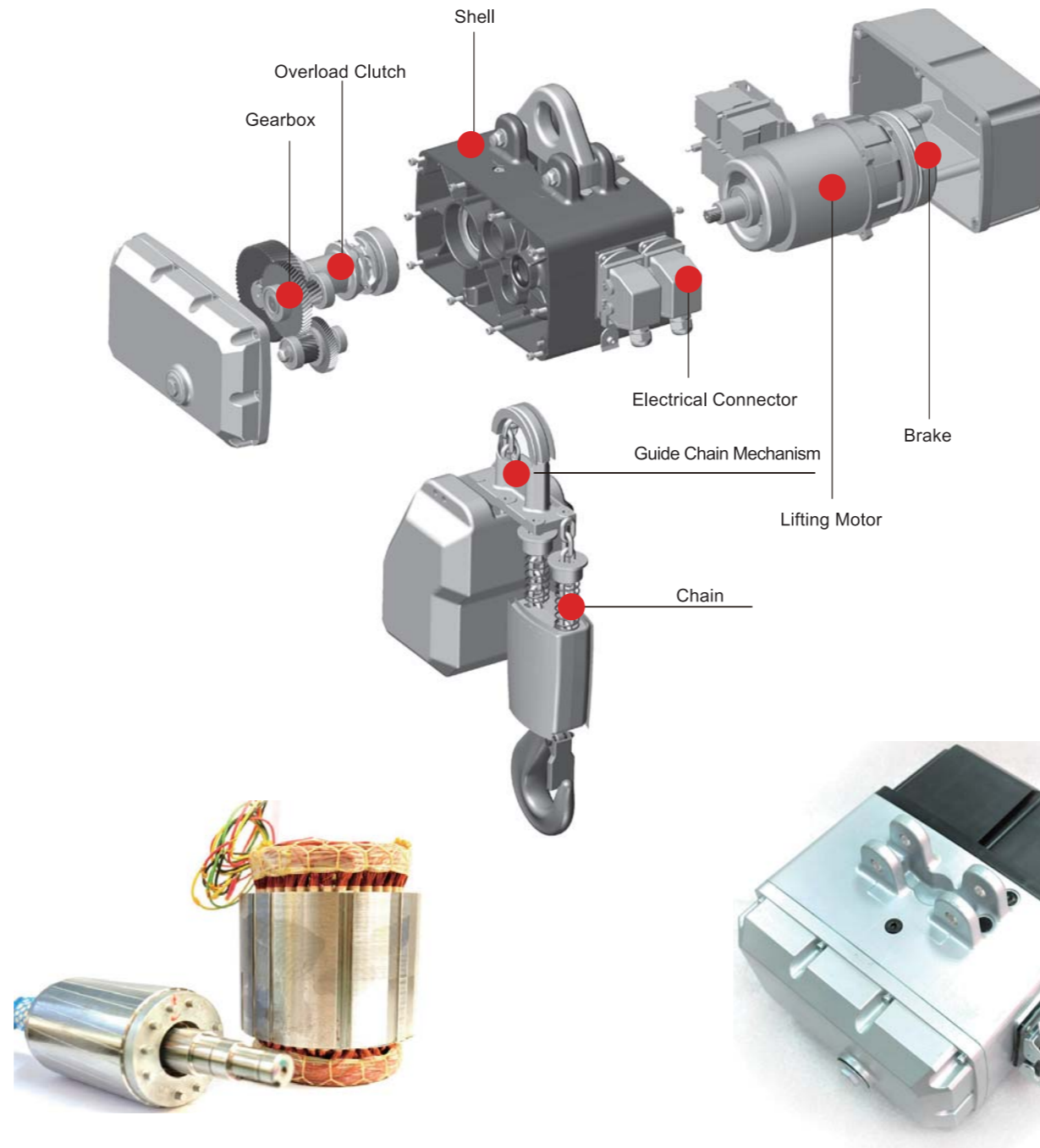
Helical-gear design, high transmission efficiency, low noise
 Process with hardened gear, heat treatments after grinding,
 accuracy grade of gear: 6
 Full oil bath lubrication, ultra-low noise and ultra-long life
 Perfect meshing and efficient transmission



Brake

Electromagnetic disc brake is arranged at the end of the
 drive gear shaft
 Asbestos free
 Maintenance-free design, service life: 1 million brakes
 Fully enclosed, high protection grade
 Suitable for severe conditions

COMPONENT



Lifting Motor

Light weight, small in size, rotation speed: up to 3000 rpm
 High starting torque, high superior performance
 Motor load: 60%, suitable for high-frequency lifting
 Protection grade: IP55, insulation grade: Class F

Shell

High strength alloy die-casting and moulding in one
 Good corrosion resistance and air-tightness
 Special suspension design
 Keeps the box body from the lifting load
 Material of electric shell: engineering plastic
 Light weight and good heat dissipation



Electrical Connector

Standard Aluminum connectors
 Mis-connection proof and leakage proof
 Ten core connector, easy control and power supply
 Plug and play, convenient and efficient



Guide Chain Mechanism

Five-socket guide chain wheel
 Hardening treatment on surface
 Smoother and quieter
 Suitable for aggressive working environment



Chain

Special high-strength alloy steel carburized chain
 Zinc coating on surface
 Wear resistance and corrosion resistance
 High safety coefficient